

CYGWAYON

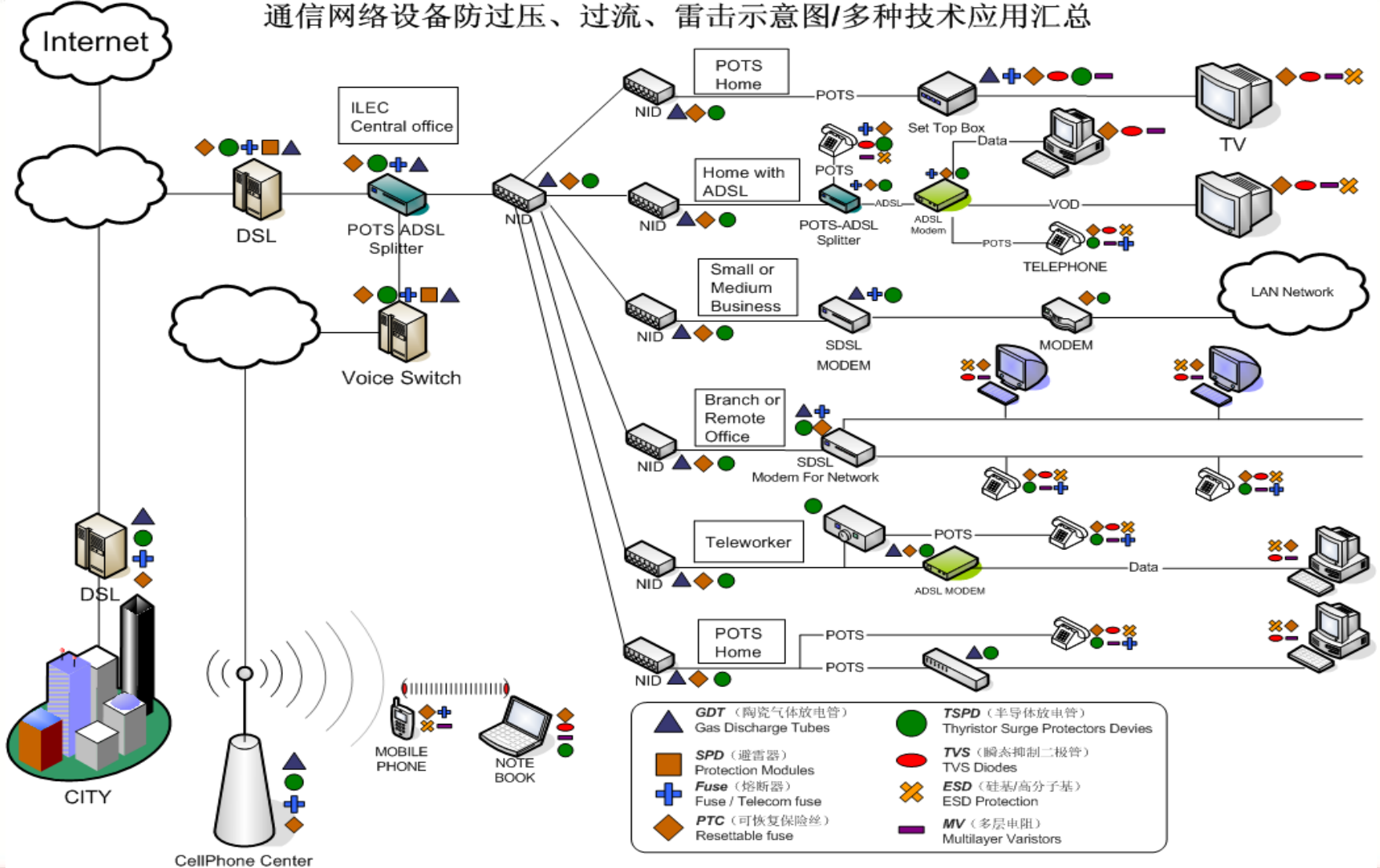
Let's make electronics safer!

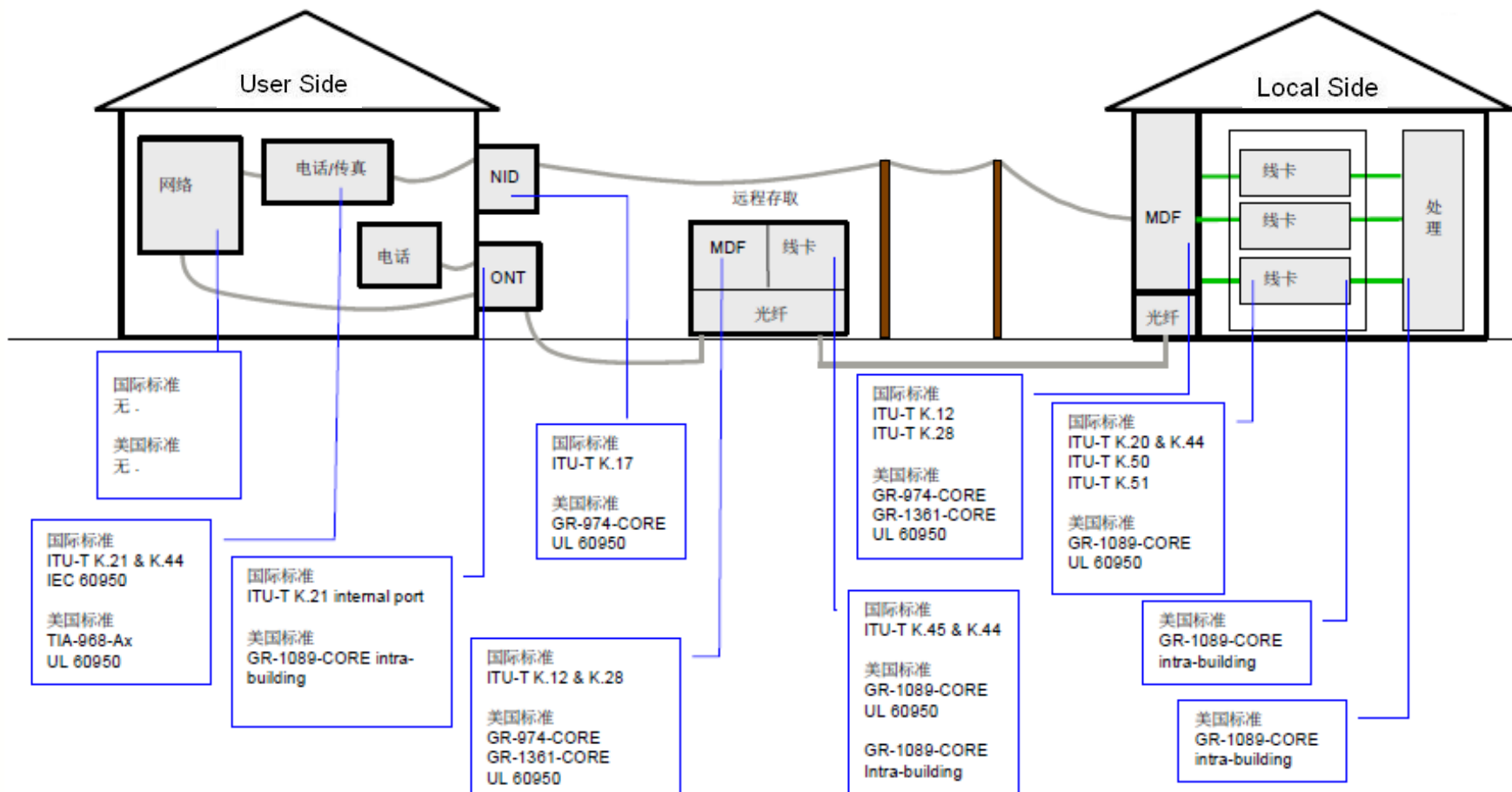


CYG WAYON

Telecommunication and Network Application

通信网络设备防过压、过流、雷击示意图/多种技术应用汇总

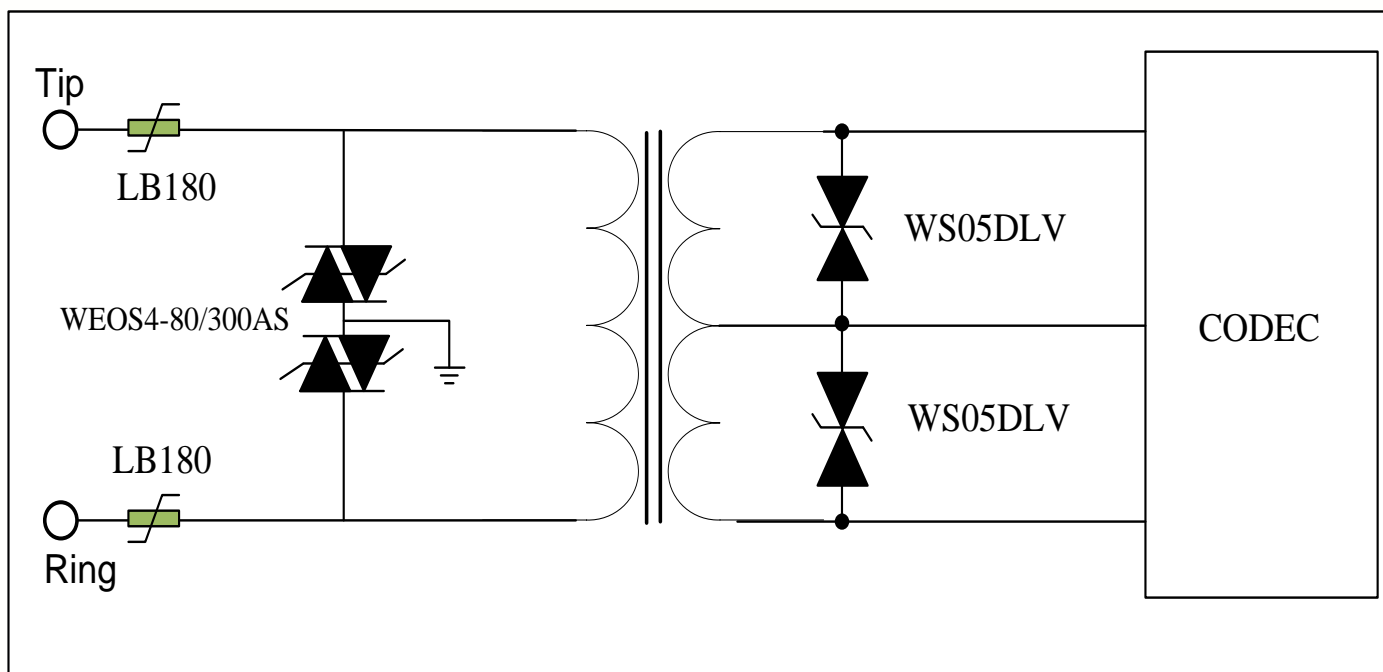
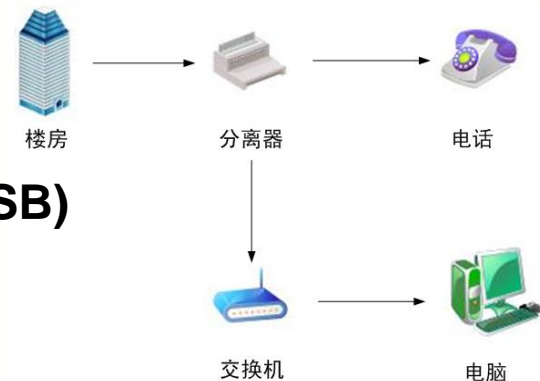




ADSL dual-lever protection:

wire terminal use TSPD : WEOS4-80/300AS (P3500SB)

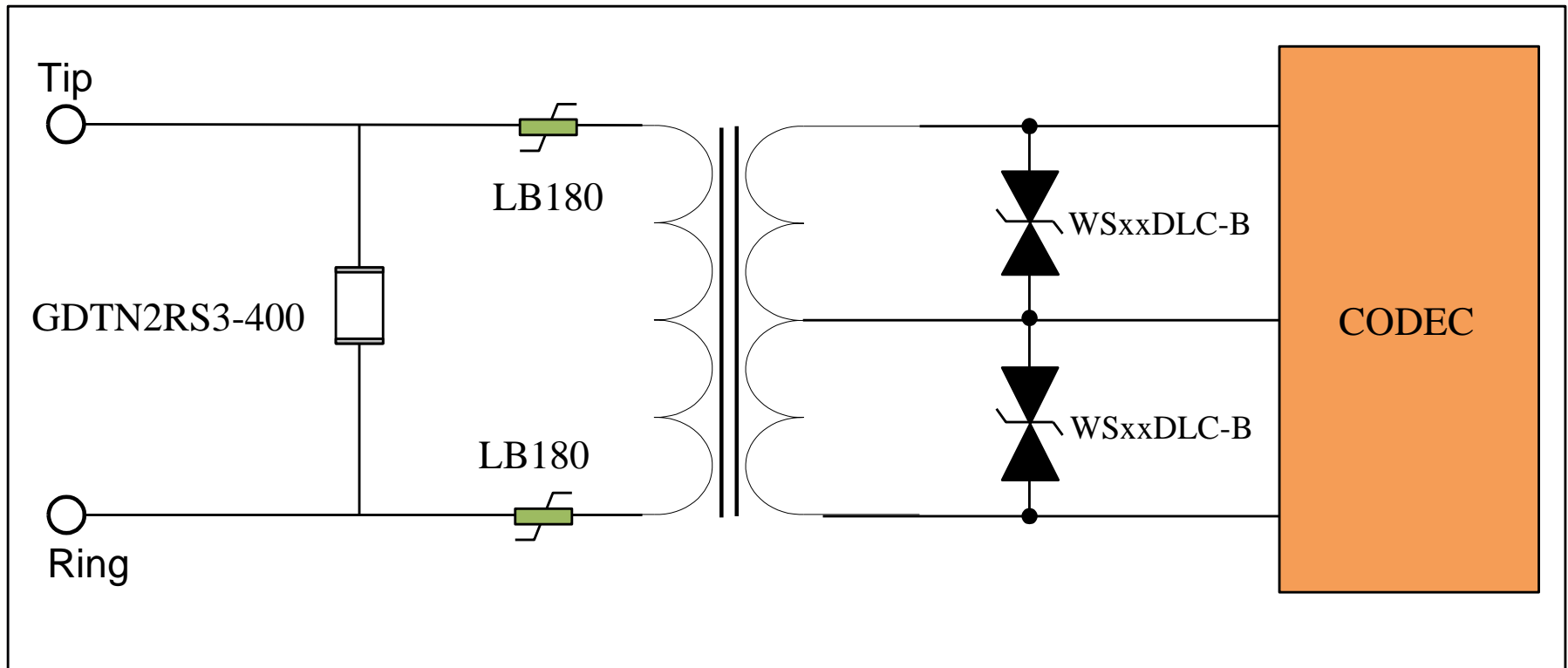
Chip terminal use TVS : WS05DLV



VDSL dual-lever protection:

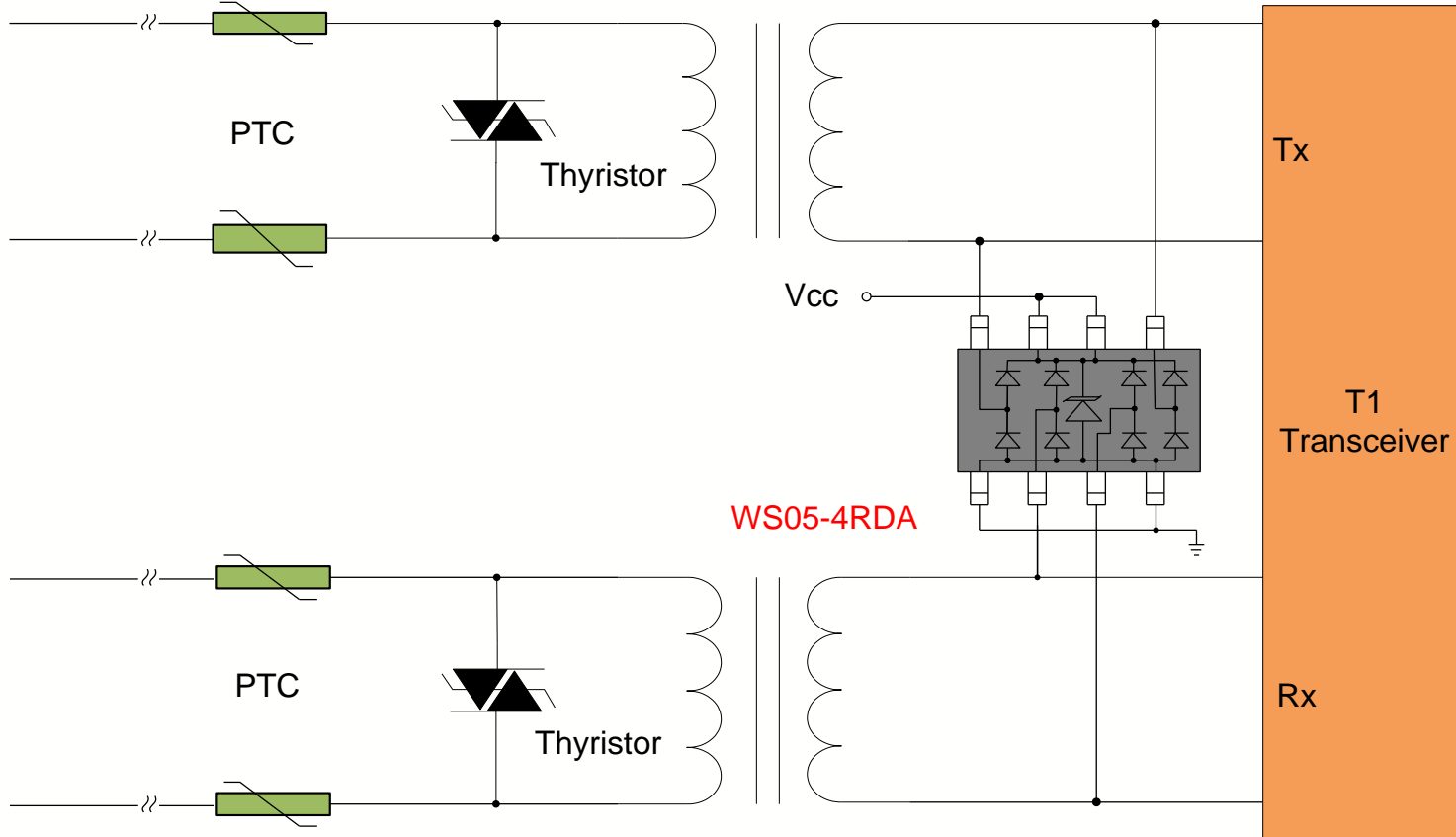
wire terminal use SMD GDT: GDTN2RS3-400

Chip terminal use Low-cap. TVS : WSxxDLC-B

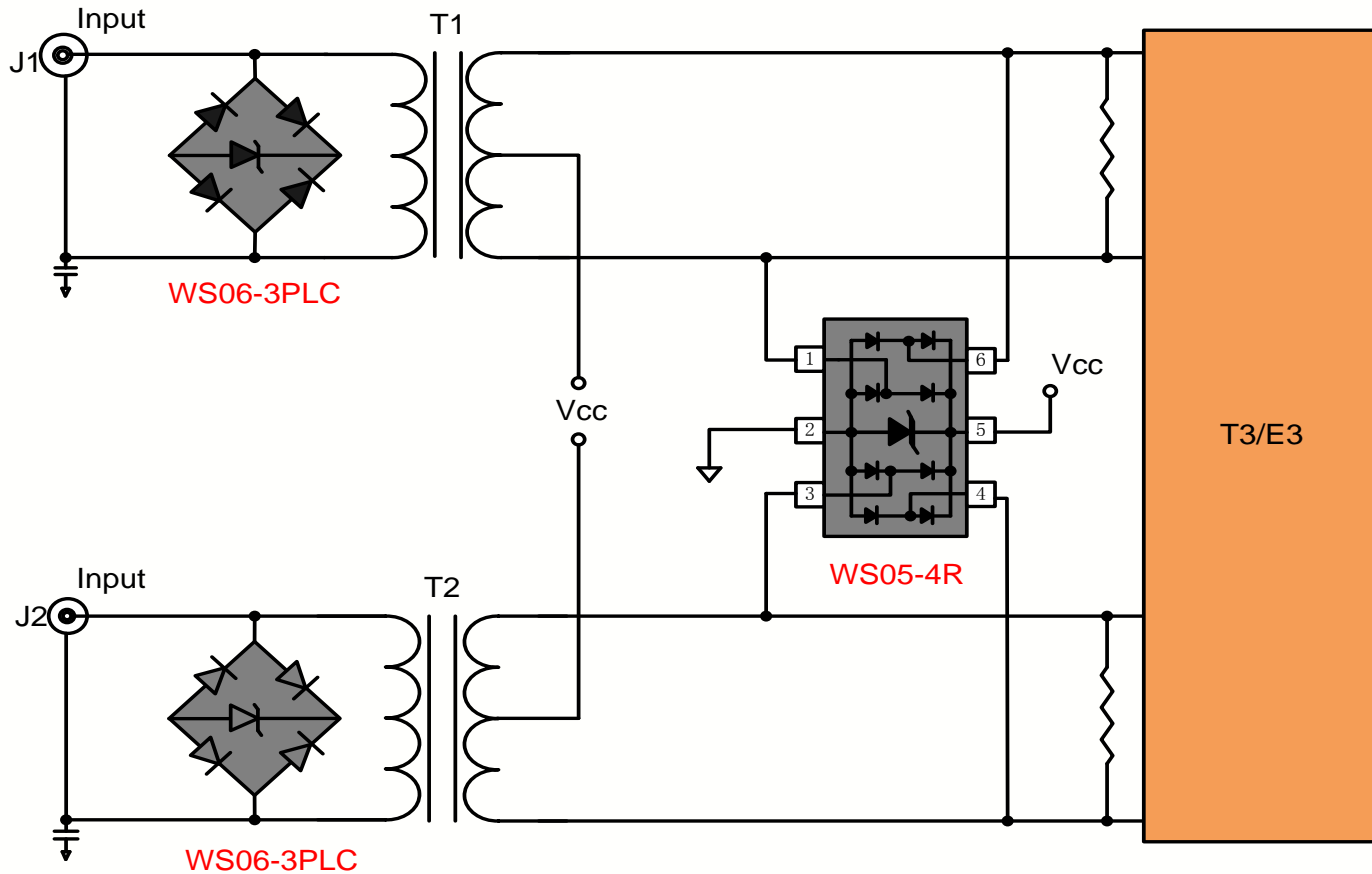


T1: North American Standard; 1.544Mbps Tel Data; 24 autonomous channel with 64kbps for each one.

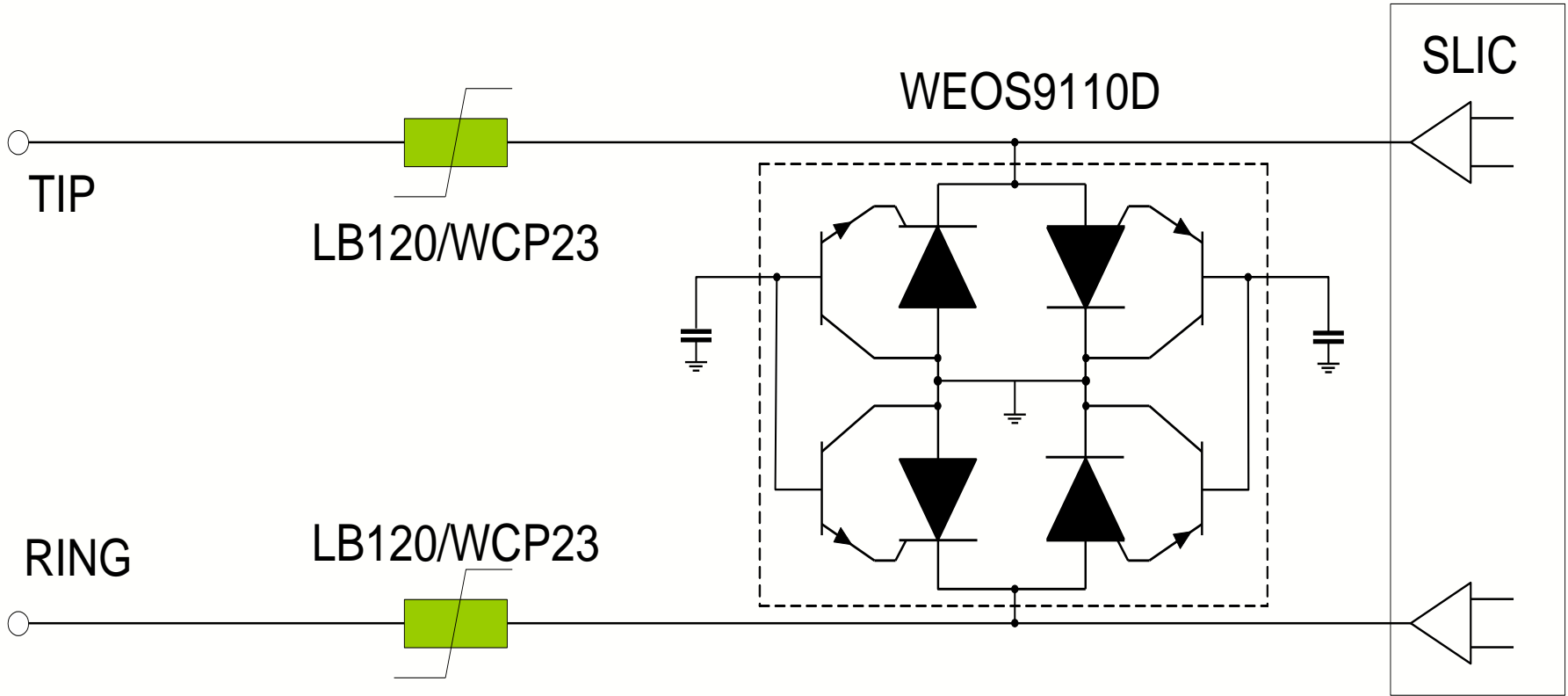
E1: European Standard, 2Mbps speed; 32 autonomous channel with 64kbps for each one together with 2 signaling and control wires.



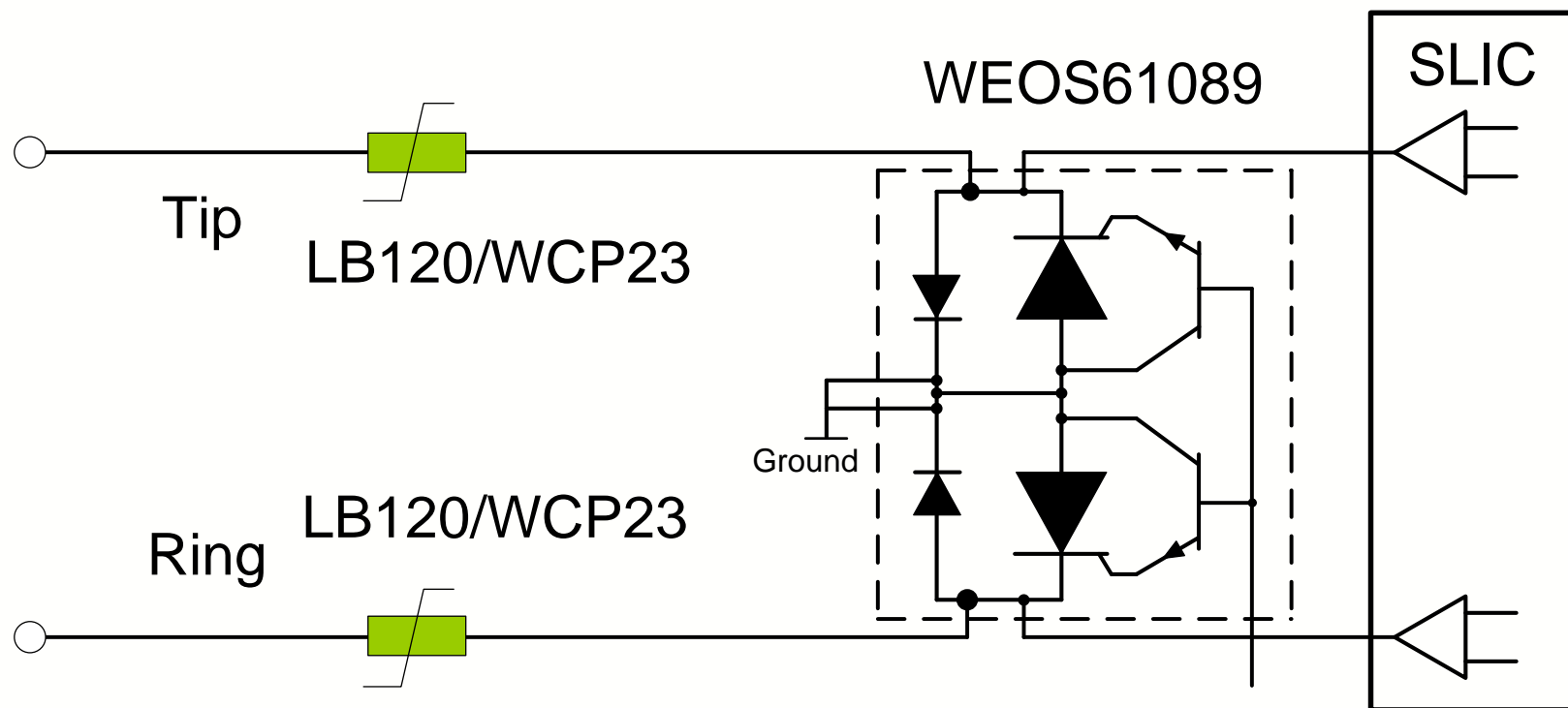
T3/E3 transmitting speed can reach to 45Mbps, choose low capacitance components to avoid effecting the data transmission

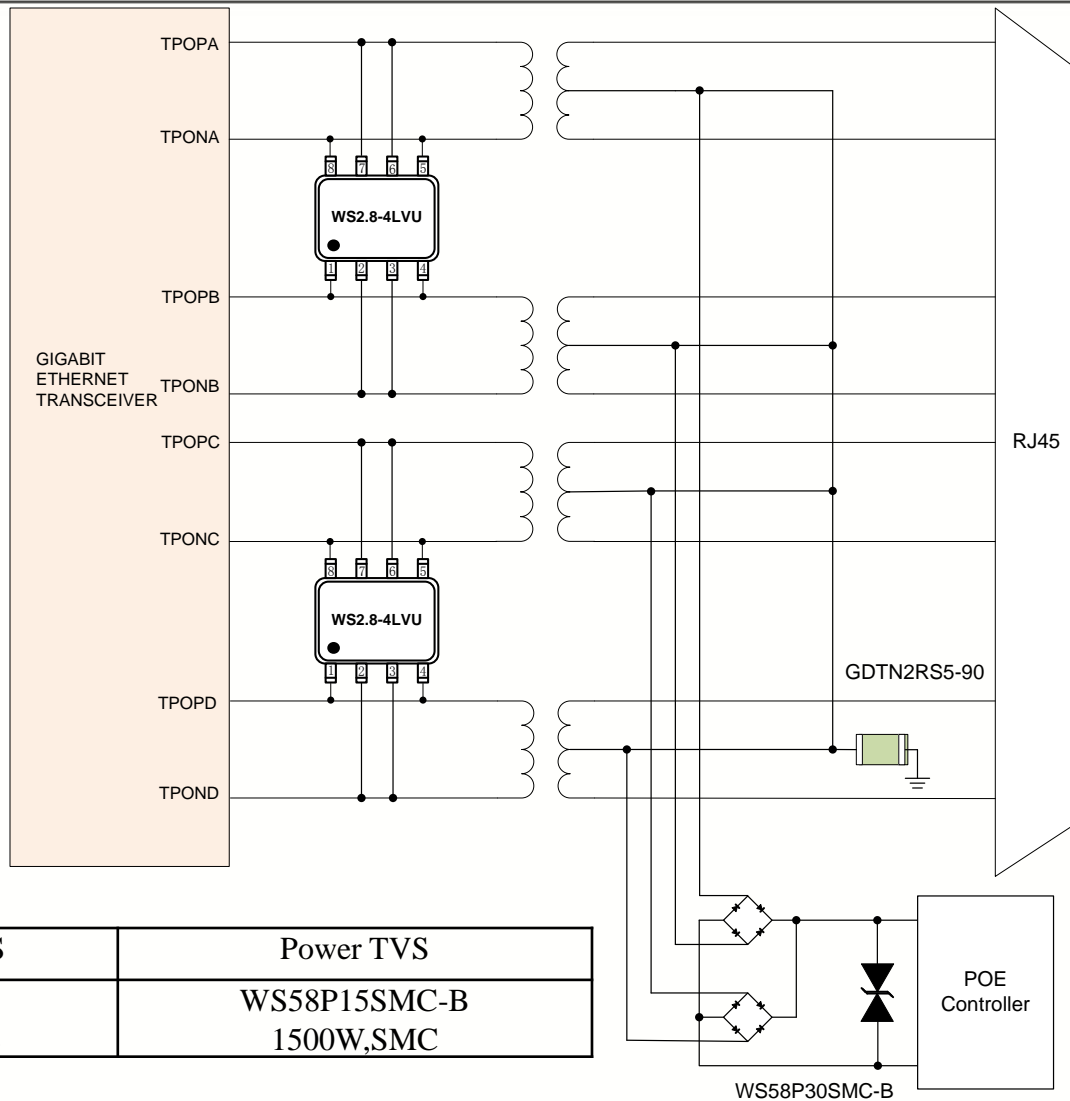


Dual Power SILC Chip protection components- -----WEOS9110D
ultimate low trigger current, double 48V power supply



Negative Regulator SILC Chip protection components-----WEOS61089

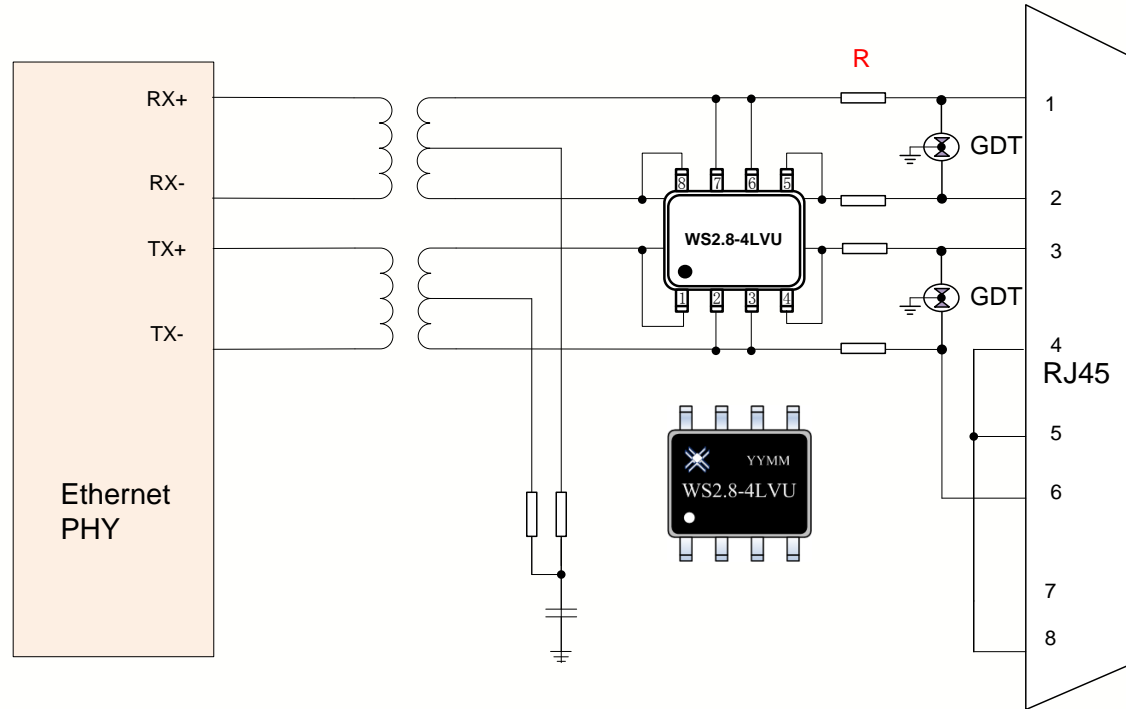




GDT	Low Cap. TVS	Power TVS
GDTN2RS5-90 5KA,L5×H5×W4.2mm ³	WS2.8-4LVU 24A,5pF,SO-8	WS58P15SMC-B 1500W,SMC

100Mbps Outdoor Superior protection Level

100M Ethernet Protection



Protection Capability:

Common Mode : **ITU K21** (10/700us 40Ω) 6KV/150A

(Max. lighting discharge current) **IEC61000-4-5** (1.2/50us -8/20us wave 2Ω) 6KV/3KA

Difference Mode : **ITU K21** (10/700us 40Ω) 6KV/150A

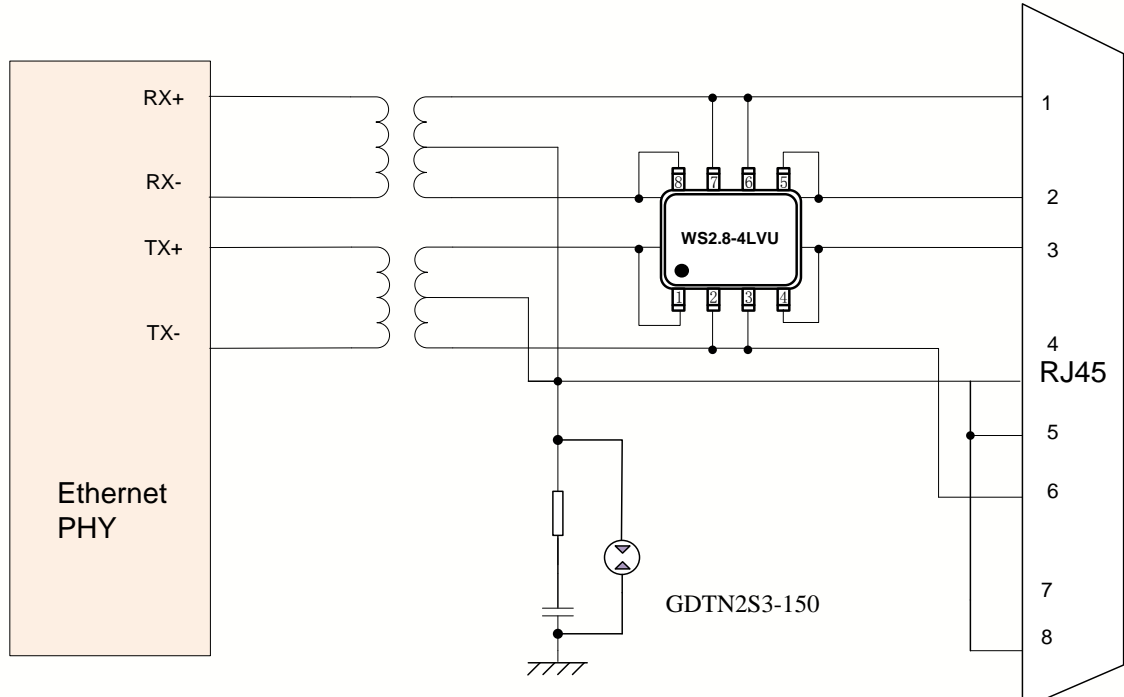
(Max. lighting discharge current) **IEC61000-4-5** (1.2/50us -8/20us wave 2Ω) 6KV/3KA

100Mps Protection Level

Protection Capability:

Common Mode : ITU K21
 (10/700us 40Ω) 6KV/150A
 IEC61000-4-5 (1.2/50us -
 8/20us wave 42Ω) 6KV/150A

Difference Mode : ITU K21
 (10/700us 40Ω) 1.5KV/37.5A
 IEC61000-4-5 (1.2/50us -
 8/20us wave 42Ω) 2KV/50A



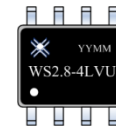
GDT

1812SMD GDTN2S3-150



Low Cap. TVS

SMD Small size 4channel TVS
 WS2.8-4LVU (SOP8)



Gigabit Protection Level

Protection Capability:

Common Mode : ITU K21

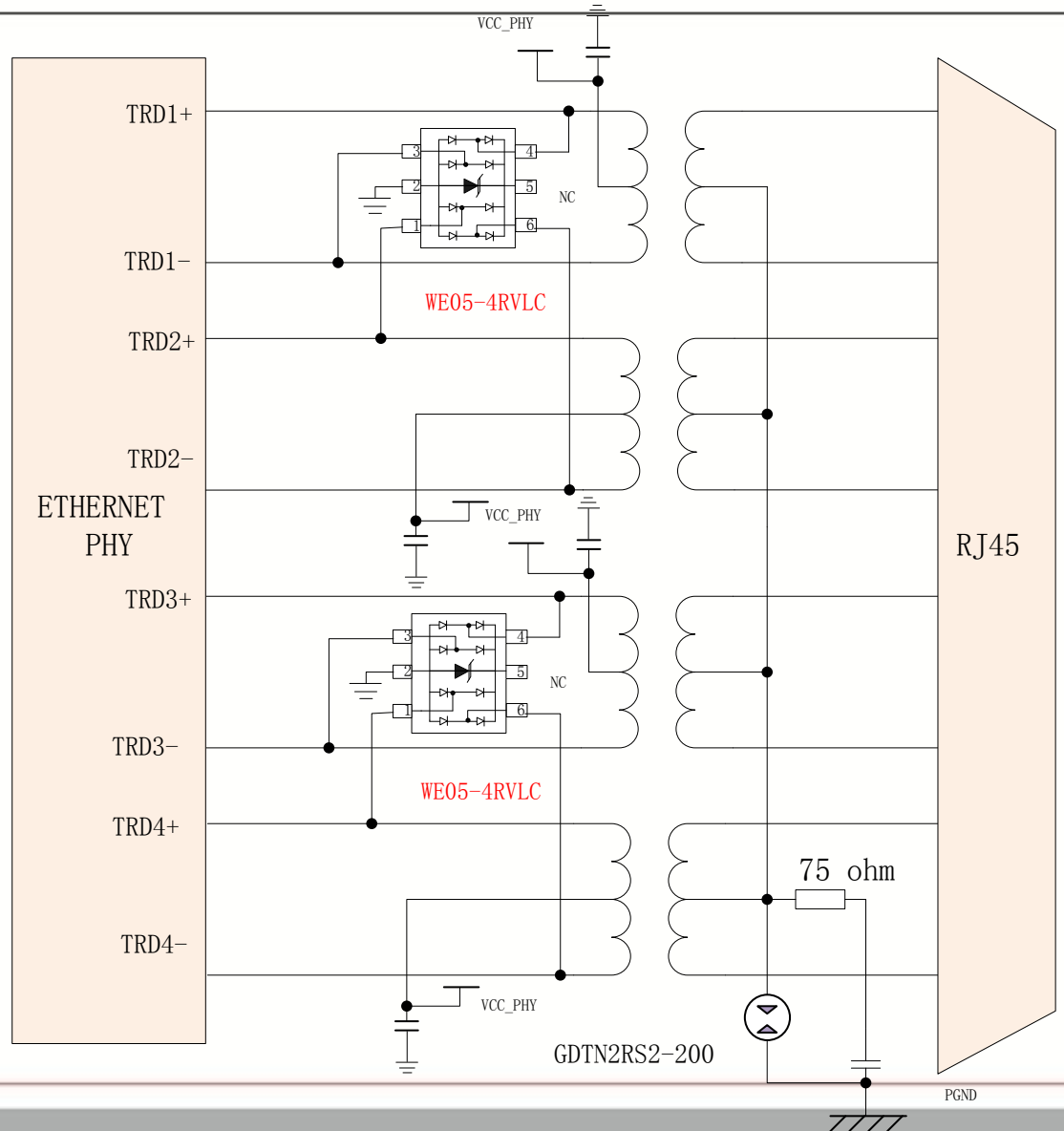
(10/700us 40Ω) 6KV/150A

IEC61000-4-5 (1.2/50us -8/20us
wave 42Ω) 6KV/150A

Difference Mode : ITU K21

(10/700us 40Ω) 1.5KV/37.5A

IEC61000-4-5 (1.2/50us -8/20us
wave 42Ω) 2KV/50A



Standard Protection Level

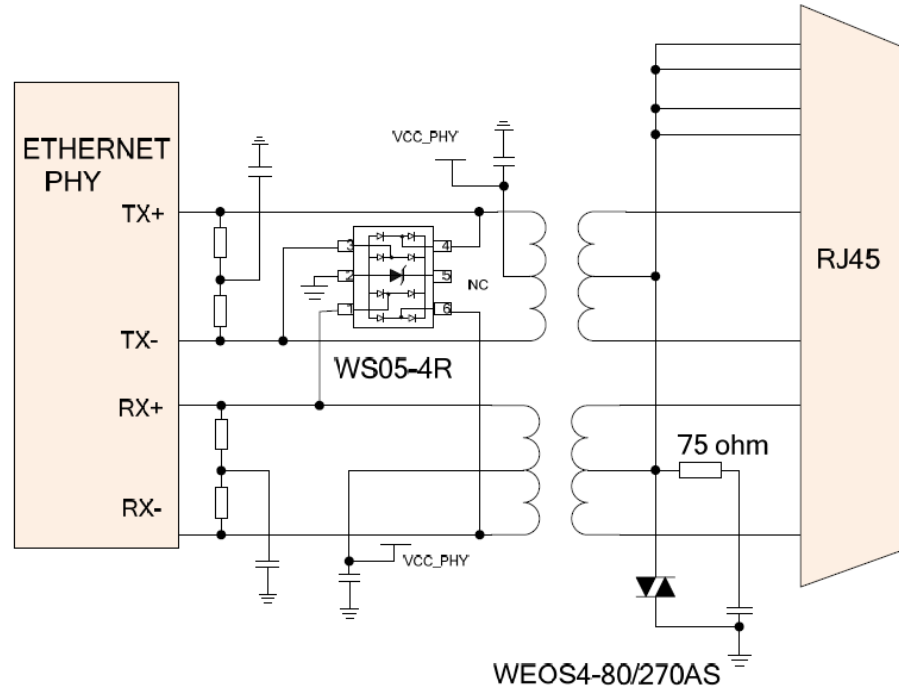
Protection Capability:

Common Mode: ITU K21 (10/700us
40Ω) 4KV/150A

IEC61000-4-5 (1.2/50us -8/20us
wave 42Ω) 4KV/150A

Difference Mode: ITU K21
(10/700us 40Ω) 1.0KV/25A

IEC61000-4-5 (1.2/50us -8/20us
wave 42Ω) 1.0KV/25A



TSPD

SMD Thyristor
WEOS4-80/270AS



Low Cap. TVS

SMD Small size 4channel TVS
WS05-4R (SOT23-6L)



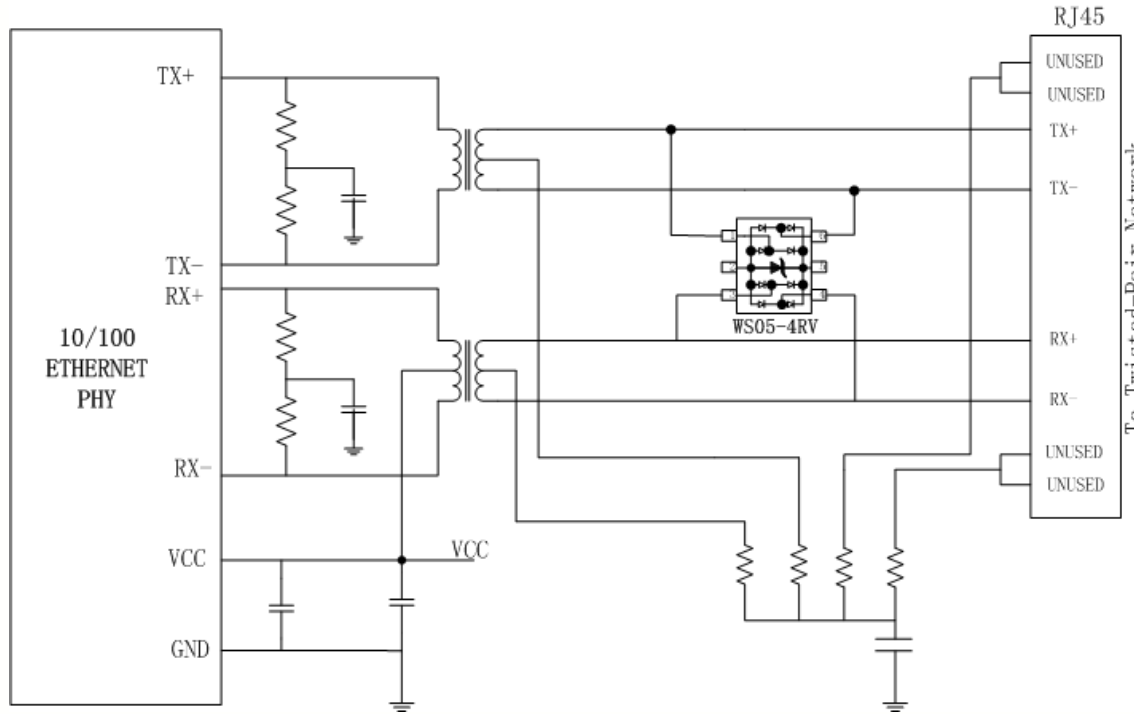
SOT-23-6L

Indoor Protection Level1

Difference-mode protection:

ITU K21 (10/700us 40Ω) 1.0KV/25A

IEC61000-4-5 (1.2/50us -8/20us wave 42Ω) 1.0KV/25A



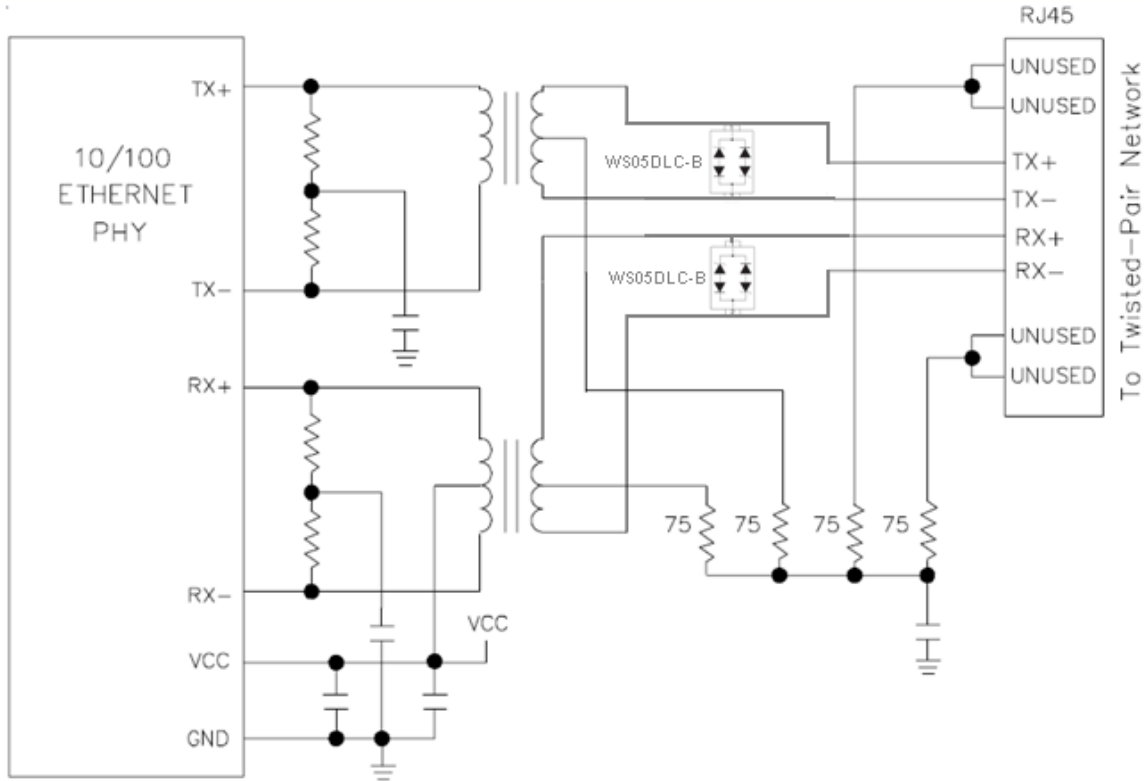
SOT-23-6L

Indoor Protection Level2

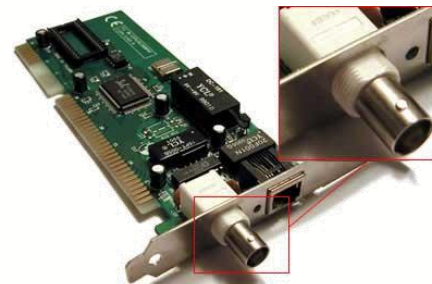
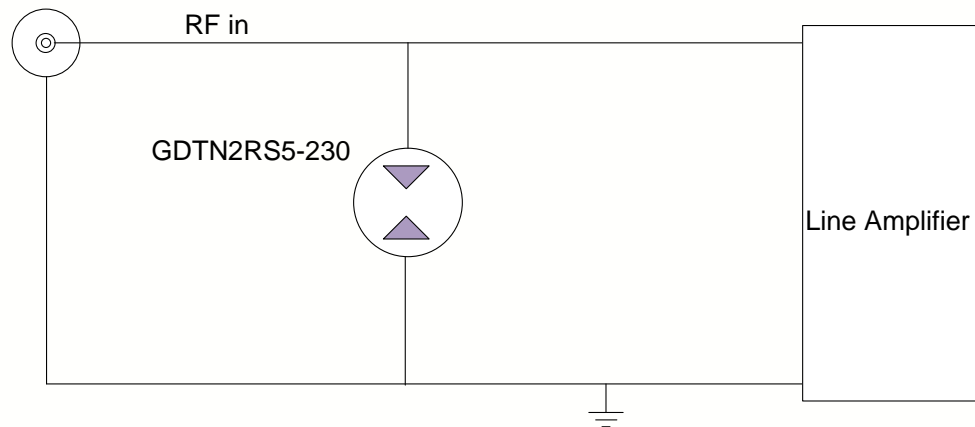
Difference-mode protection:

ITU K21 (10/700us 40Ω) 1.0KV/25A

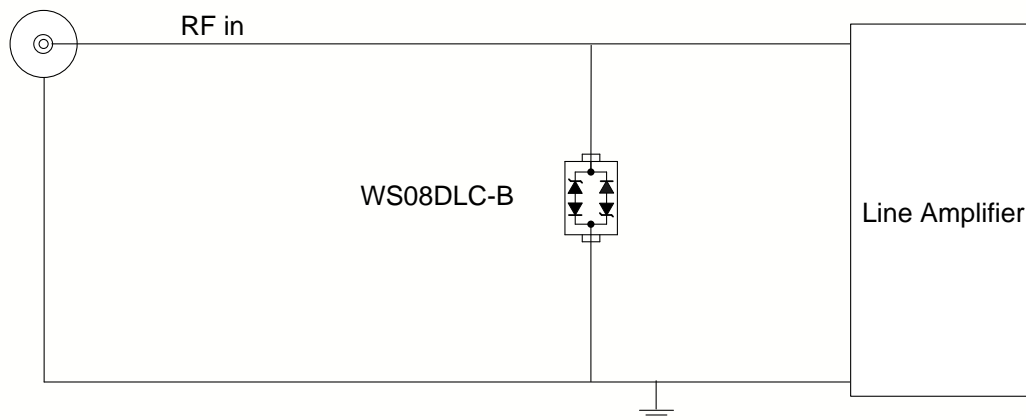
IEC61000-4-5 (1.2/50us -8/20us wave 42Ω) 1.0KV/25A



SOD-323



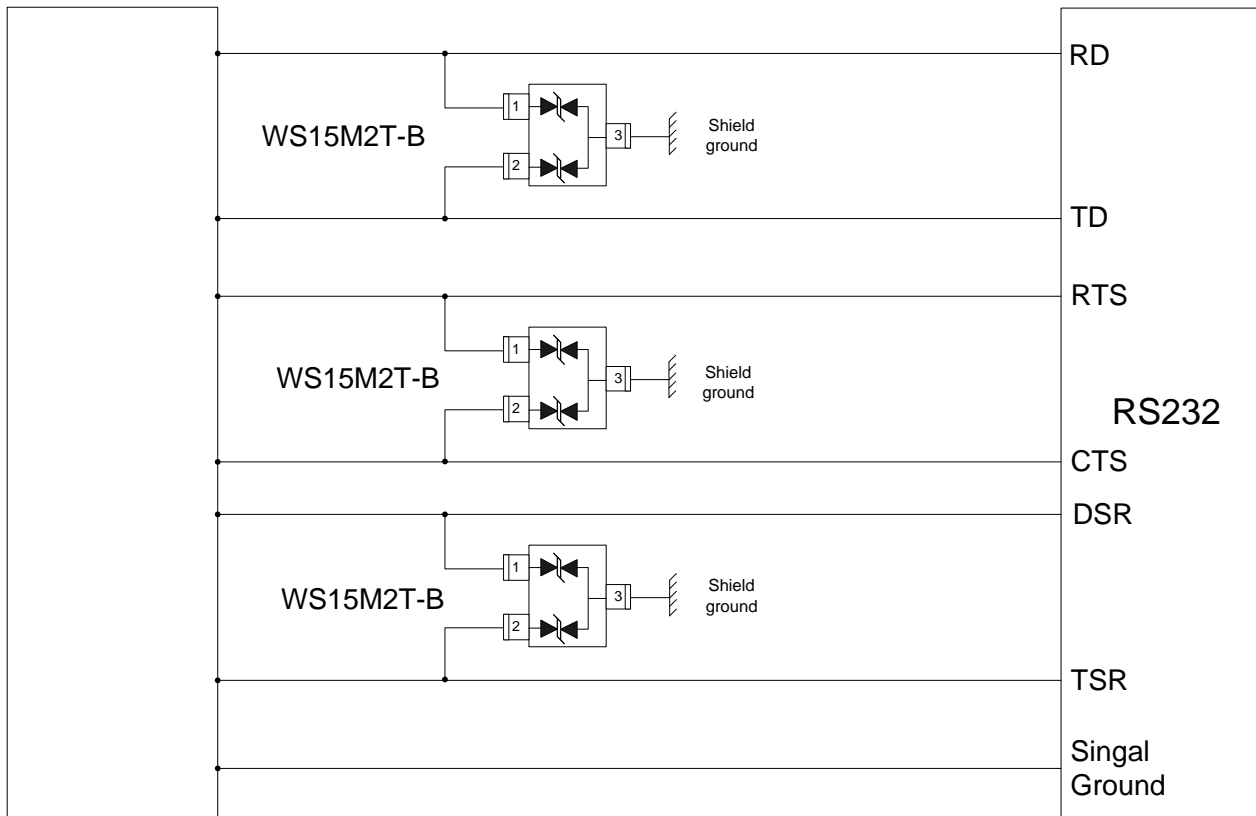
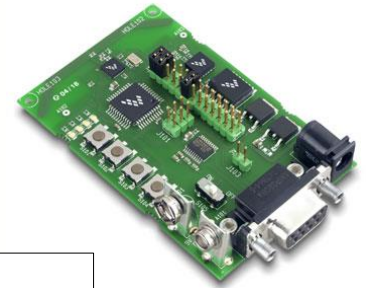
For Primary Protection: GDTN2RS5-230: 1pF, 5KA, 5x5x4.2mm³



For Secondary Protection : WS08DLC-B: 1pF, 20A, SOD323

Over voltage Protection :

- 6 low speed signal lines ESD protection;
- Device Package SOT23;

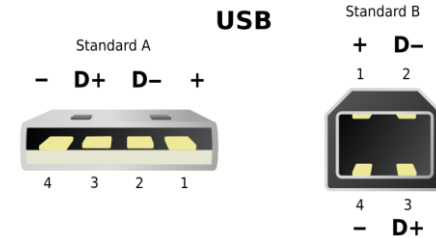
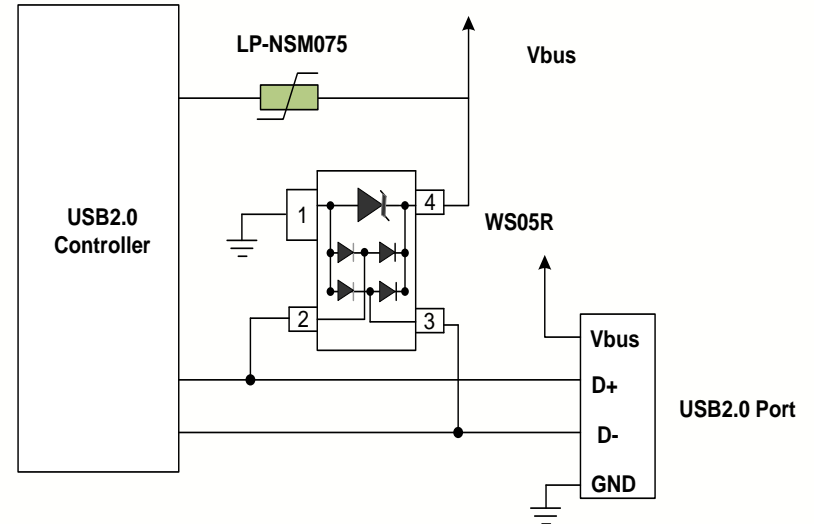
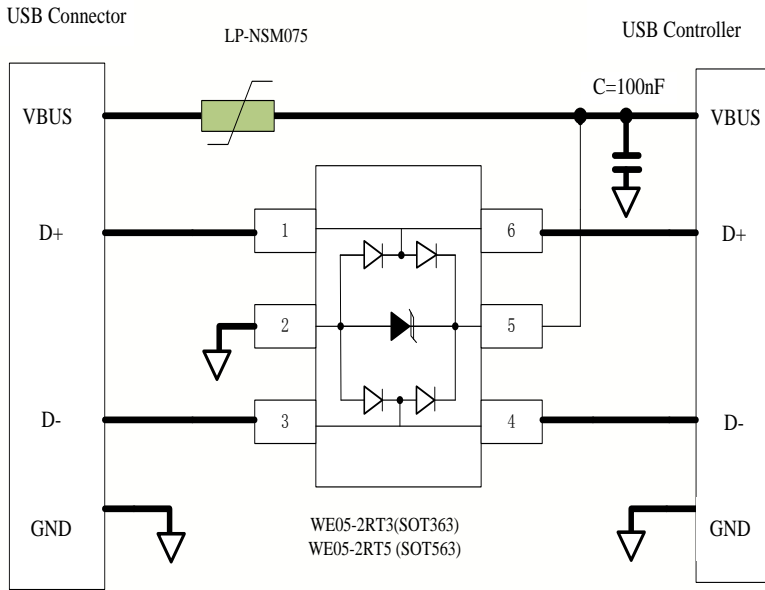


Over voltage Protection Device:

- 2 signal lines and 1 Power line protection;
- SOT143/SOT563/DFN-6L;
- 1.6mmx1.6mm;
- Max Line-Line cap.: 0.5 pF

Over current protection:

- LP-NSM075, SMD 1206 Size





The End